

MAP OF SCHOOL



Ground Floor Plan

A13
Construction

D Rooms
Art
Science
Dance/Drama
Maths
D48 Assistant Head, Mrs Evison
D42 Assistant Head, Mrs Nichols
D3 Learning Support

K Block
Technology
K5 Head of Year, Miss Cole
K5 Head of Year, Miss Heatley
K6 Deputy Head, Mrs Baker
K18 Site Manager

H Block
H1 Headteacher, Mr Osborn
H1 Deputy Head, Mr Feeley
H1 PA to Headteacher
English
Geography

J Blocks
Languages

L Rooms
Dance/Drama
Humanities

S Rooms
ICT
Business
S7 Marketing and Communications Manager
S8 Reprographics
S42 Head of Year, Mr Lilleker

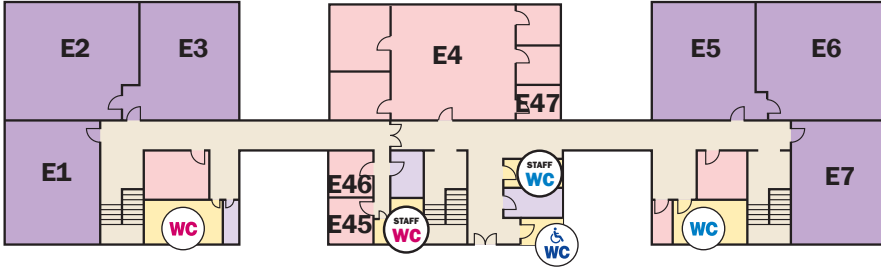
Sixth Form
G41 Head of Year, Mr Hickey
G41 Head of Year, Mrs Pallister

- | | | | |
|--|----------------------|--|-------------------------------|
| | Medical Room | | Building Site Boundary |
| | Water Fountain | | Main Reception and Attendance |
| | Lift | | Classrooms |
| | Accessible Toilet | | Offices and Storage |
| | Boys Toilet | | Dining Area |
| | Girls Toilet | | Sixth Form Block |
| | Staff Toilet | | PE Facilities |
| | Boys Changing Rooms | | Toilets and Changing Rooms |
| | Girls Changing Rooms | | Corridors |
| | | | Gates |

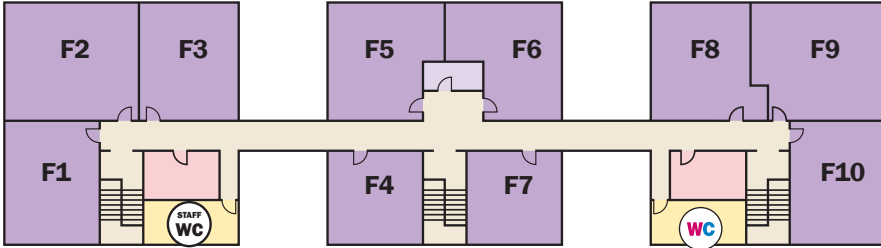
Upper Floors Plan

E and F Rooms (Above D Rooms)

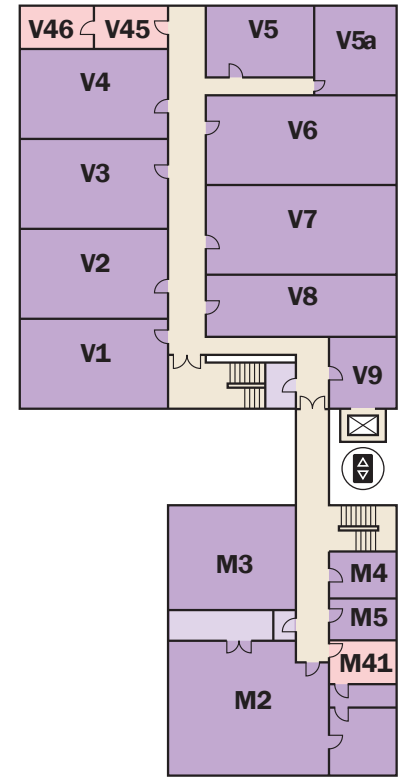
First Floor



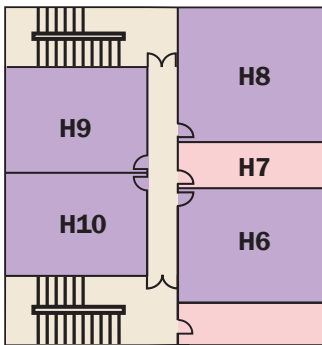
Second Floor



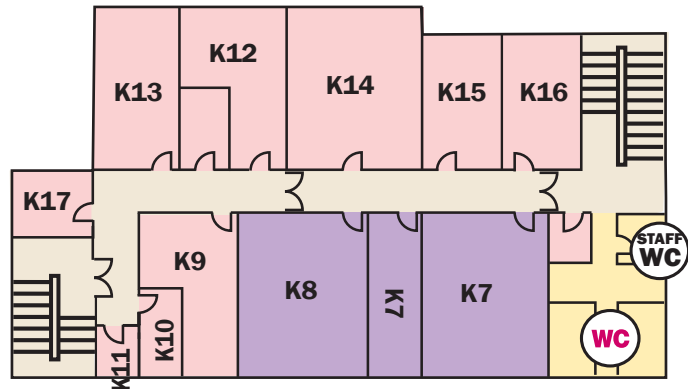
V and M Rooms (Above S Rooms)



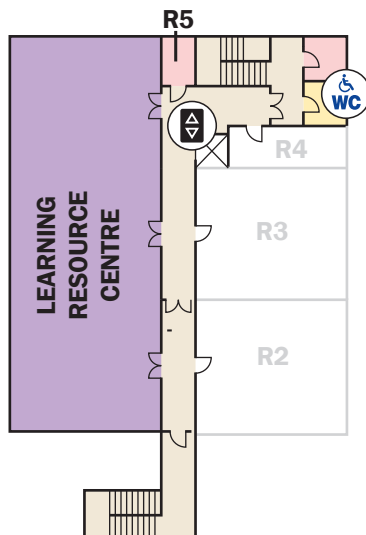
H Block - First Floor



K Block - First Floor



Learning Resource Centre (Above L rooms)



E Rooms

Humanities
 E4 Behaviour for Learning Centre
 E4 Careers Office
 E45 Pastoral Support Officer
 E46 Head of Year, Mr Halle
 E47 Inclusion Manager

F Rooms

Mathematics

H Block

English

K Block

K7 Salon
 K7 Nail Bar
 K9 Staffroom
 K10 Extended Services
 K11 Assistant Head, Mr Bermon
 K12 Network Office
 K13 School Business Manager, Mrs Packer
 K14 Finance and HR
 K15 Admin Centre
 K16 Inclusion Room
 K17 Exams Office

M Rooms

Music
 M41 Assistant Head, Ms Sharp

R Rooms

R5 Assistant Head, Mr Fuller

V Rooms

Languages
 DCE
 Business/ICT/
 Applied Learning
 Child Development
 Humanities
 V9 Assistant Head, Mrs Griffiths
 V46 Assistant Head, Mr Osei-Poku
 V45 Head of Year, Mr Read